

## JetSort Cleaning Procedures

---

Daily cleaning of JetSort machines is recommended to ensure maximum productivity and reliability.

### Recommended Cleaning Materials



Simple Green, the recommended cleaning agent, can be an eye irritant. Avoid eye contact. If eye contact occurs, flush eye(s) with cool water for 5 minutes – remove contact lenses if present – continue flushing eye (s) with cool water for 15 more minutes. If irritation persists, consult physician.

Individuals with sensitive skin should rinse hands after using.

- Simple Green Safety Towels. (Part number: 022-2118-00.) A pre-moistened microfiber towel also may be used. If using Simple Green concentrate, dilute to: 30 ml of Simple Green per 240 ml of water. For material-safety-data sheets, see [simplegreen.com](http://simplegreen.com).
- Microfiber towels. (Part number: 022-2223-00.)
- Vacuum cleaner. (In the United States: Order standard vacuum part number 022-1959-00 or heavy-duty vacuum part number 022-1308-00. Outside of the United States: Buy vacuum locally.)

## Daily Cleaning

### **WARNING**

High-voltage levels may be present. Risk of electric shock.  
Turn power OFF and unplug power cord from machine before cleaning.

### **NOTICE**

To avoid machine/component damage and potential voiding of existing warranty, follow these procedures:

Only use the specified tools for cleaning machine. Never use metal tools.

If using Simple Green concentrate, dilute to: 30 ml of Simple Green per 240 ml of water.

Never use cleaners containing ammonia. Ammonia may remove labels from machine.

Never spray cleaners directly on machine components.

### **NOTICE**

Clean sort disk only as instructed. Do not attempt to remove oil coating on disk. Removing oil from disk negatively impacts performance and may negate disk warranty.

If disk cannot be cleaned with a clean, dry microfiber towel or cotton cloth, contact a Cummins Allison service representative for assistance.

## Cleaning the sorting chamber

Clean Jetsort sorting chamber of at least once a week to remove accumulated coin dust and debris. Never wipe sort disk or pad, except as instructed in this document.

1. [Remove coin tray](#) to access the inside of the machine.
2. Remove any stray coins or other objects by hand.
3. Vacuum interior areas to remove accumulated dust or debris.

## Cleaning the sort disk

Inspect sort disk and pad daily for best machine performance.

### **NOTICE**

Sort head damage can result from using metallic brush.  
Use only soft, non-metallic brush as instructed by a Cummins Allison representative.

To prevent damage and to maintain coin-sorting function as designed, do not brush sort pad that rests on lower disk.

1. [Remove and inspect sort disk](#).
2. Remove any visible debris by hand.
3. Clean disk if needed using dry microfiber towel, a clean cotton cloth, or a soft, non-metallic brush.
4. DO NOT brush the sort pad that rests on the lower disk.
5. Use a stiff, **non-metallic** brush if necessary to clean the grooves on the underside of the top disk.

6. Inspect sort pad for any cuts that may affect the sorter's accuracy. Replacement sort pads are available from your Local Cummins Allison branch office.
7. Replace the sort head and secure the latch.
8. Reinstall coin tray and secure in place.
9. Clean remaining **exterior** surfaces as needed with a Simple Green Safety Towel. If using Simple Green concentrate, dilute 1 part Simple Green with 8 parts water. Apply with microfiber towel.

## Lift Tray Assembly Removal and Installation

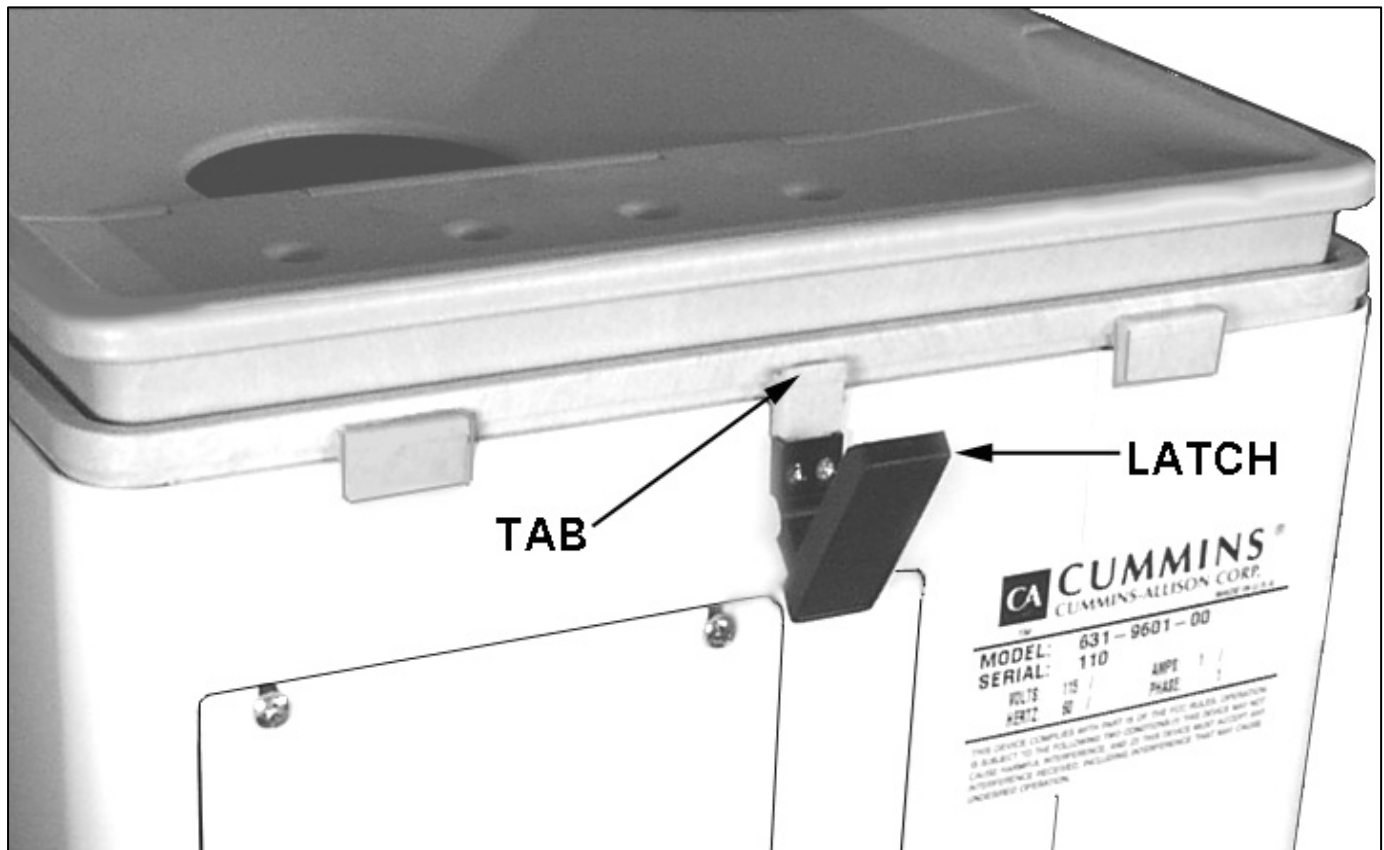


Figure1 – Lift Tray Assembly and Installation

### Lift tray assembly removal – FIGURE 1

1. Pull back and up on the bottom of the latch (Figure 1) until it pops loose.
2. Pull the base up and backward to clear the two tabs at the front of the tray where they slip under the Display Assembly.

### Lift tray assembly installation – FIGURE 1

1. To install the lift tray assembly, slip the two tabs at the front of the tray under the display assembly and lower the base into the cabinet.
2. Hook the top of the latch over the tab on the tray base (Figure 1) and press down and in on the bottom of the latch until it snaps in place.

## Sort Disk Partial Removal

The sort disk can be partially removed to clean and service the sort disk and to remove coins and debris from the coin pad.

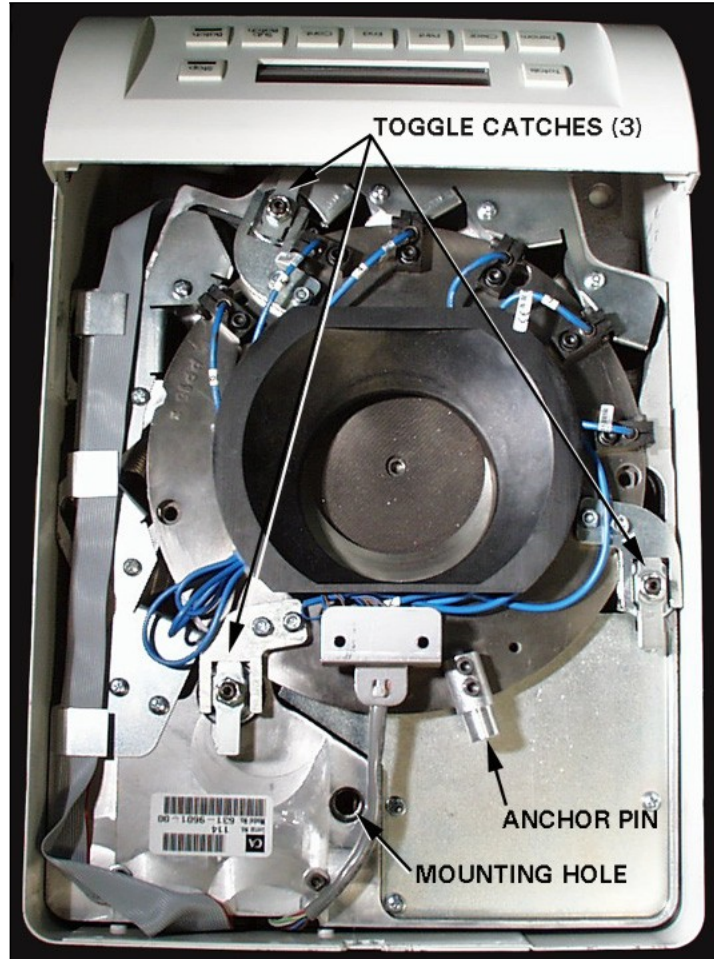


Figure 2 Sort Disk (Top View)

### Sort disk partial removal- Figure 2

1. [Remove lift tray assembly.](#)
2. Turn the three toggle catches parallel to the arms of the hold-down forks -- see Figure 2.
3. Lift the sort disk up and turn vertically, without pulling the connecting wires from their harness.
4. Place the anchor pin in the mounting hole near the rear of the cabinet -- see Figure 3 on the next page.

## Sort Disk Installation

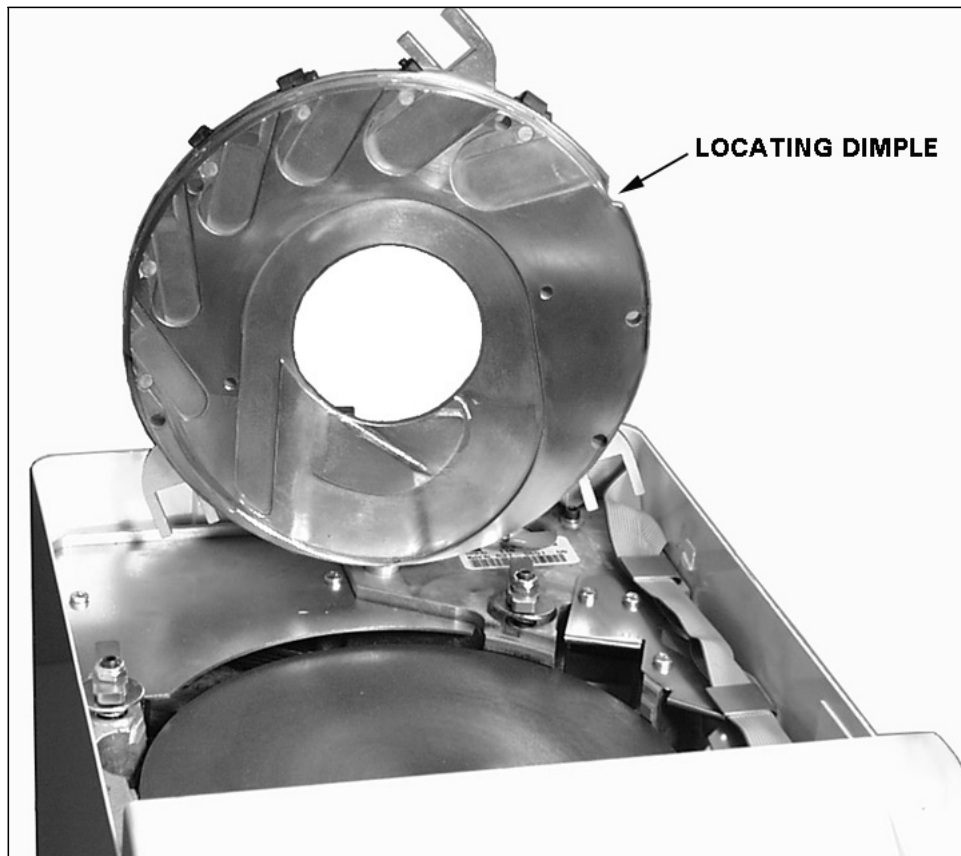


Figure 3 Sort Disk in Vertical Position

### Sort disk Installation – Figure 3

1. Lower the sort disk onto the turntable. The locating dimple (Figure 3) will only allow the disk to drop to the pad when the dimple is next to the matching projection in the base assembly.
2. Turn the three toggle catches until they are perpendicular to the hold-down forks.
3. [Reinstall the lift tray](#) assembly.